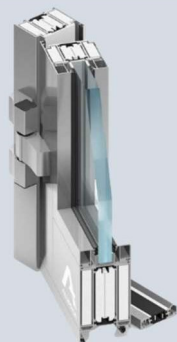




Hansen



Fire rated doors and wall partitions Aluprof MB-78EI

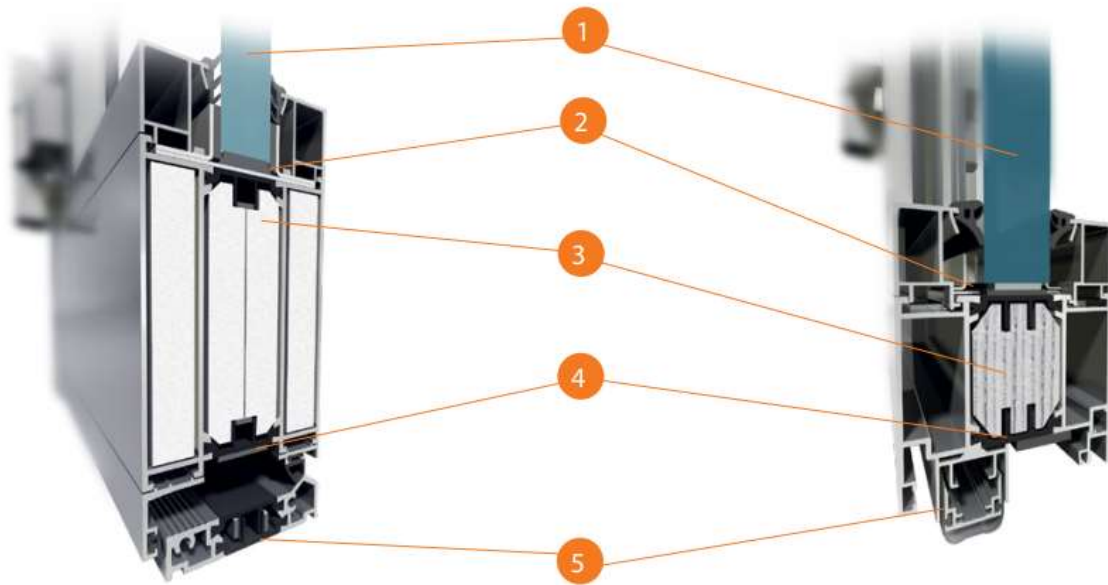
The **MB-78EI system** has been developed for the producing of internal or external fire-rated partition walls, with single- or double-leaf doors featured by a fire resistance class of EI 15, EI 30, EI 45 EI 60 or EI 90 to EN 13501-2.

MB-78EI-based products have a very good thermal and acoustic insulation. The structure of the MB-78 EI system is based on the thermally-insulated, 78 mm deep aluminium profiles. They are characterized by a low overall heat transfer coefficient “U,” thanks in the main, to specialist design thermal break, 34mm in width. The resistance to high temperature is assured by special fire insulation elements – GKF or CI – introduced into the inner chambers of the profiles and into insulating spaces between profiles and steel accessories and joints.

The MB-78EI door system can exist as an individual “goal-post frame” as part of a larger composite “window wall” or in fire resistant facade MB-SR50N EI system. Structures & door sets of this type, both single & double leaf door arrangements, have been successfully tested in a notified laboratory, obtaining fire resistance classes of EI 30 & EI 60.

Depth of wall & door frame:	78 mm
Depth of leaf:	78 mm
Glazing range:	8-49 mm
Thermal insulation:	from 1,6 W/(m ² ·K)
Air permeability:	Class 2, PN-EN 12207:2001
Water tightness:	Class 5A, PN-EN 12208:2001
Fire resistance:	Classes EI 15, EI 30, EI45, EI 60, EI 90 in accordance with EN 13501-2, classes EI 15, EI 30, EI45, EI 60 in accordance with AT-15-6006/2016
Acoustic Insulation:	Up to 41 dB

Fire rated doors and wall partitions MB-78 EI

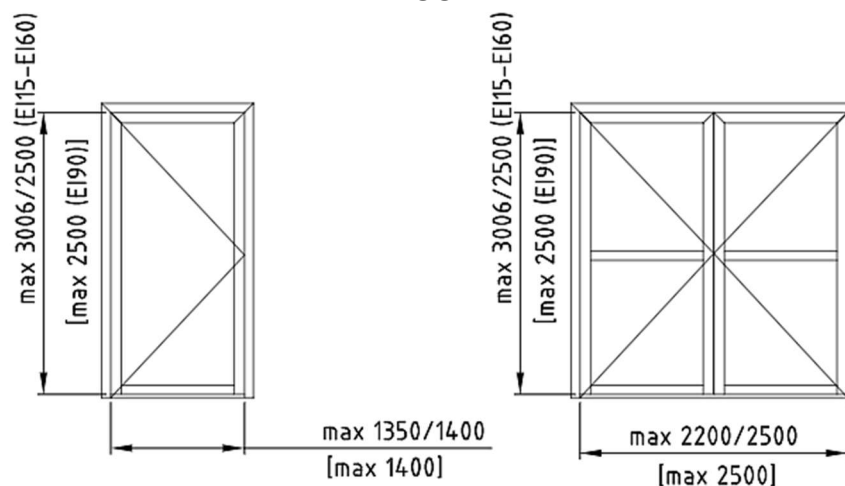


- 1 Single or double fire-resistant glass of a thickness of up to 49 mm
- 2 Steel accessories and expanding tapes that protect the structure from high temperatures
- 3 GKF or CI type fire protection inserted inside the profiles, enables performance classes EI15 to EI 90
- 4 Profiled thermal break that provides adequate protection against heat loss (Uf from 1,6)
- 5 Different door bottom rail seal solutions: with & without threshold profile option, obtaining a smoke-proof class S200 Sa

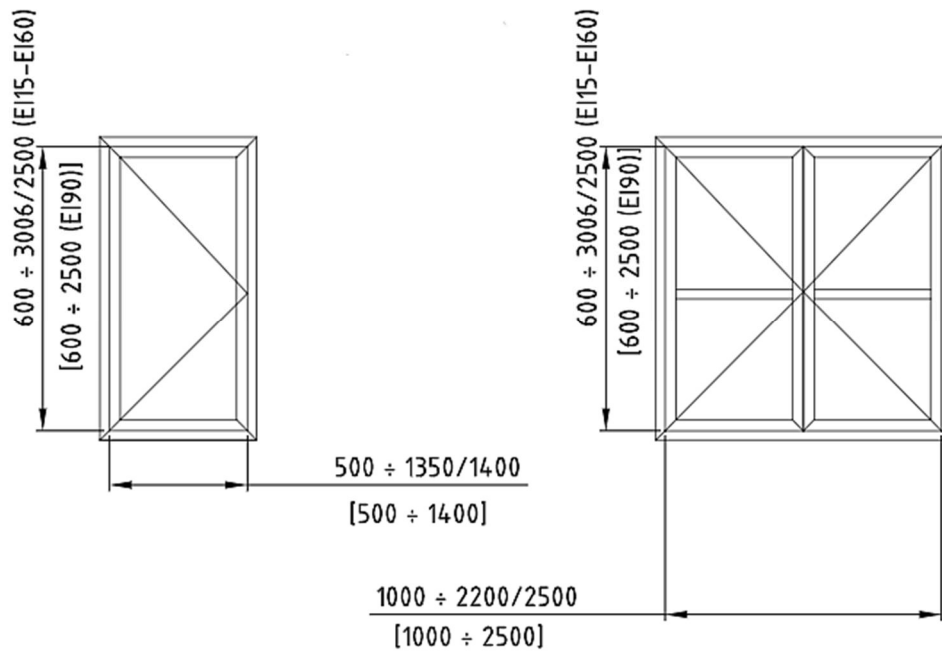
Maximum dimensions of the wall segments

The range of permissible dimensions of the construction includes fixed partitions up to 5,16 m high and single-swing doors with leaf dimensions: W up to 1,4 m; H up to 3,0 m; the width of double doors may achieve 2,5 m.

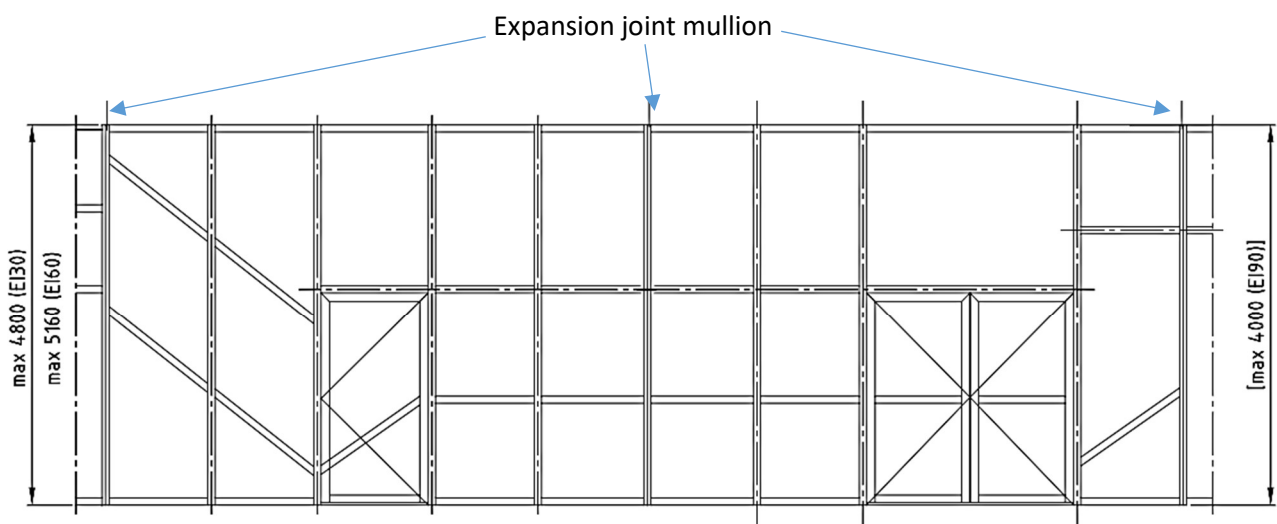
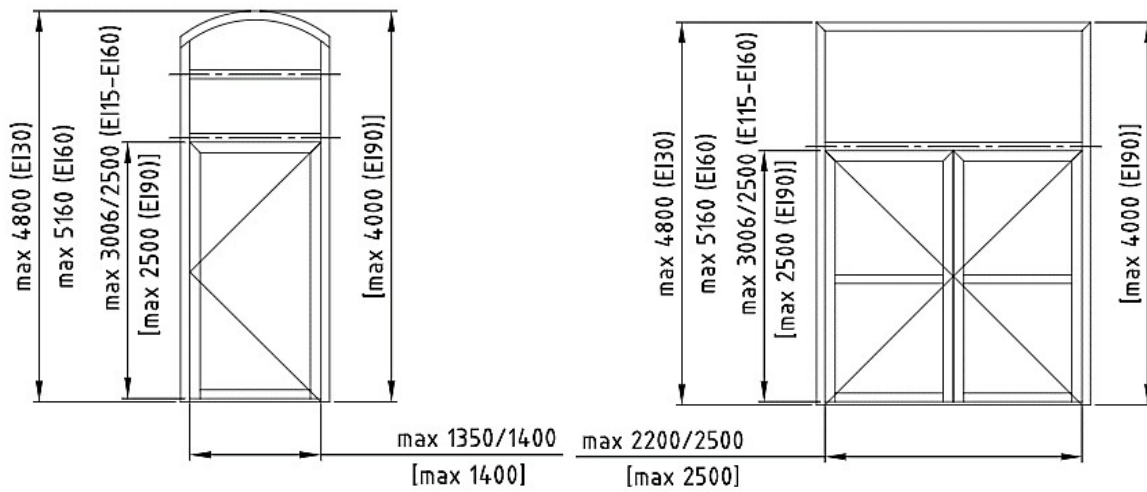
DOOR



TECHNICAL WINDOW



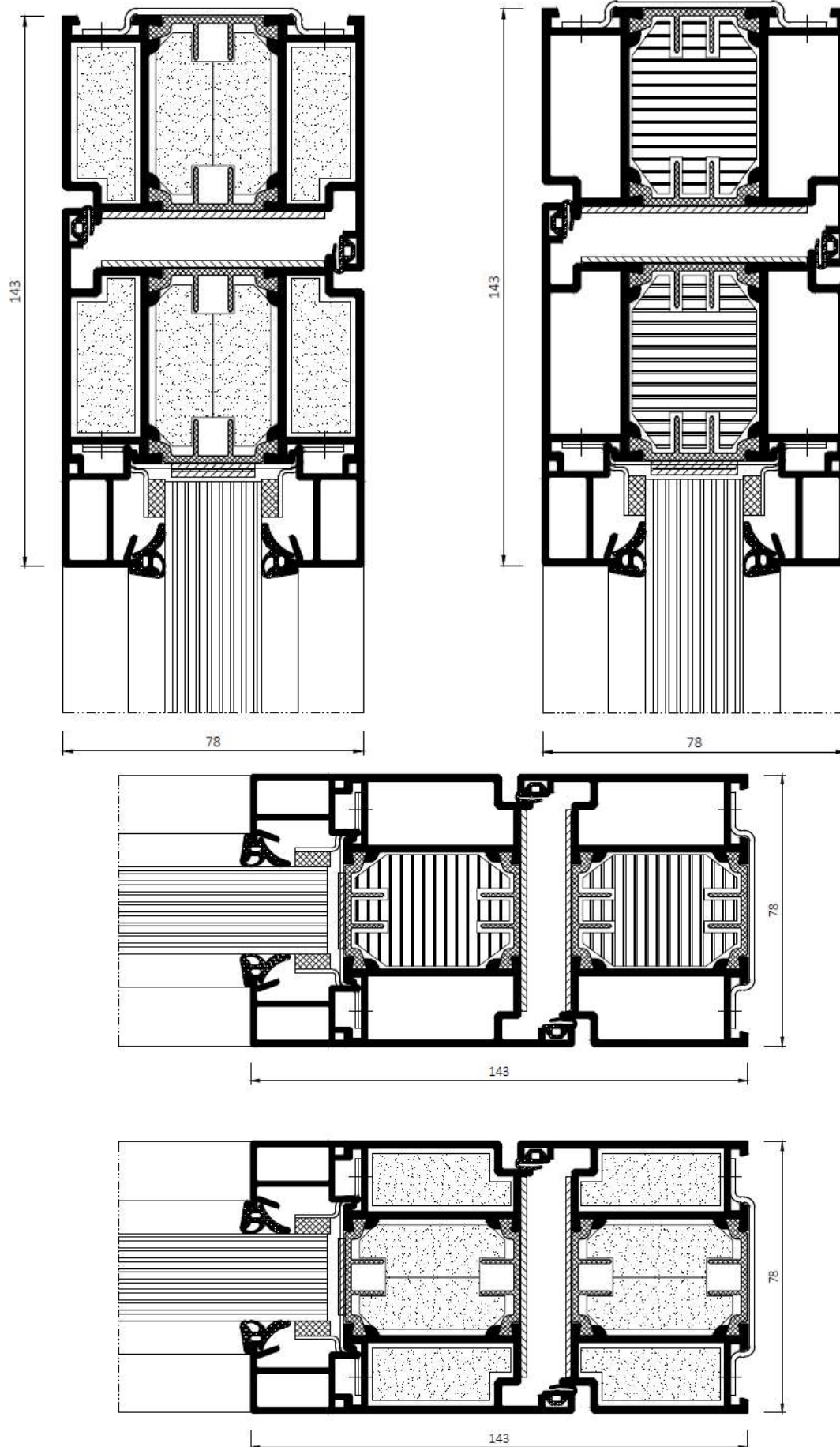
WALL SEGMENTS



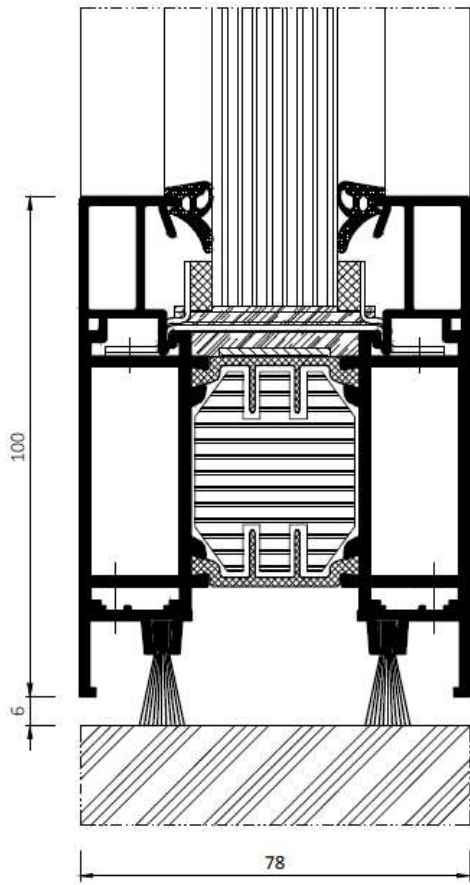
Cross sections

Door frame and door leaf with GKF infills

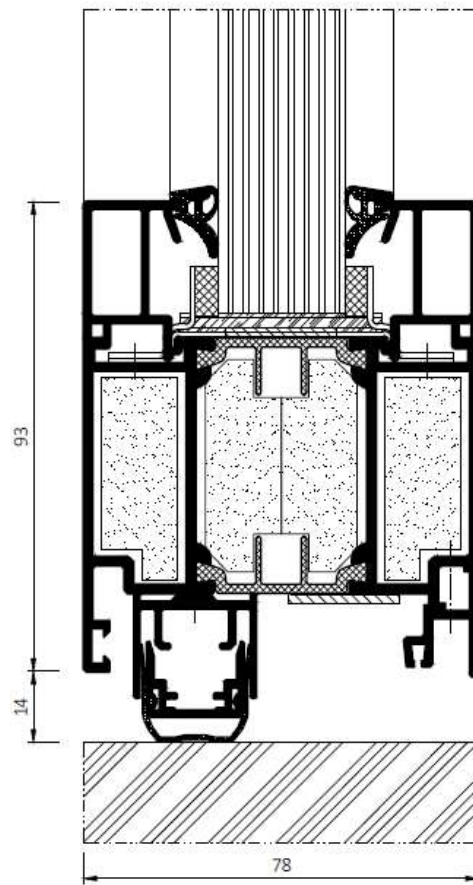
Door frame and door leaf with CI infills



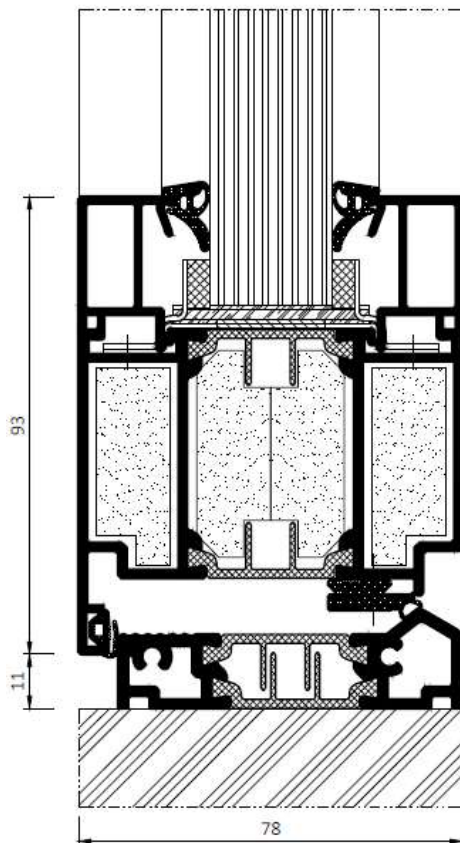
Door without a threshold



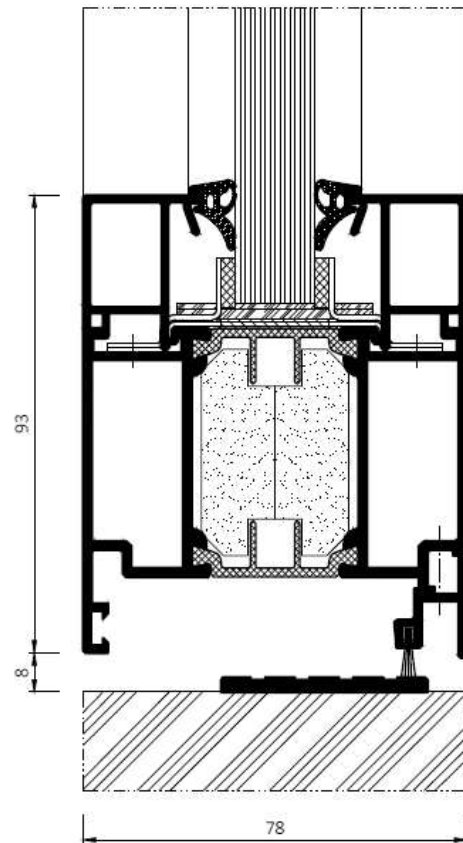
Door leaf with drop seal



Door with threshold



Door with flat threshold



Fire-resistant glazing

	Type of glass	Class	Thickness [mm]
1	Polflam 20	EI30	20
2	Polflam 25	EI60	25
3	Contraflam 30	EI30	16
4	Contraflam 30-20	EI30	20
5	Contraflam 60	EI60	25
6	Contraflam 60-30	EI60	27
7	Pyrostop 30	EI30	16
8	Pyrostop 60	EI60	23